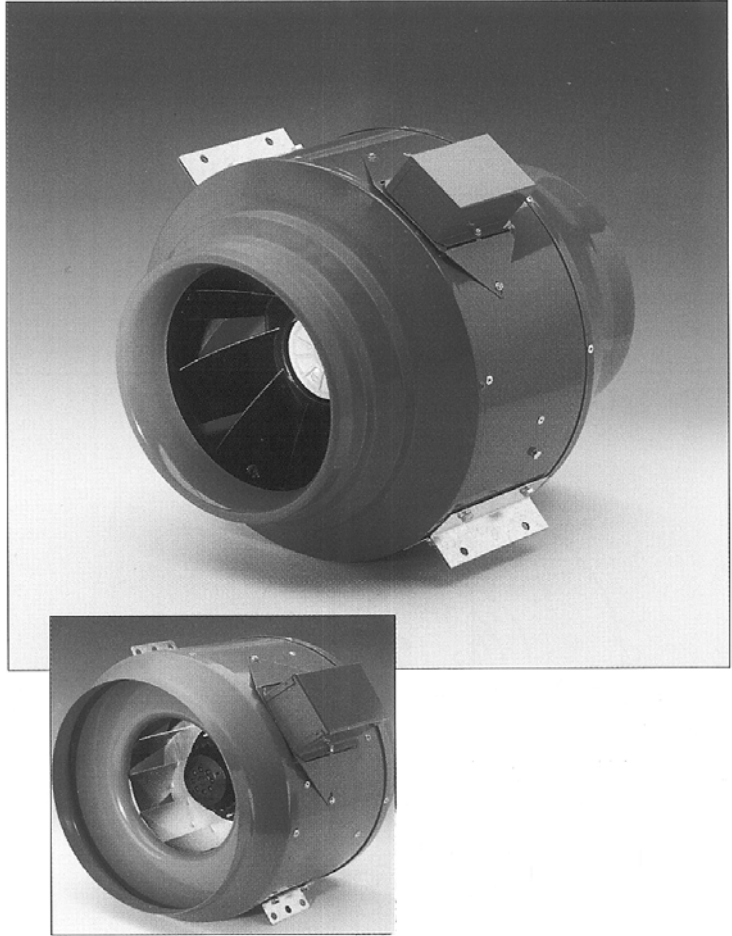


Attic Ventilation (in-line)

Installation Instructions



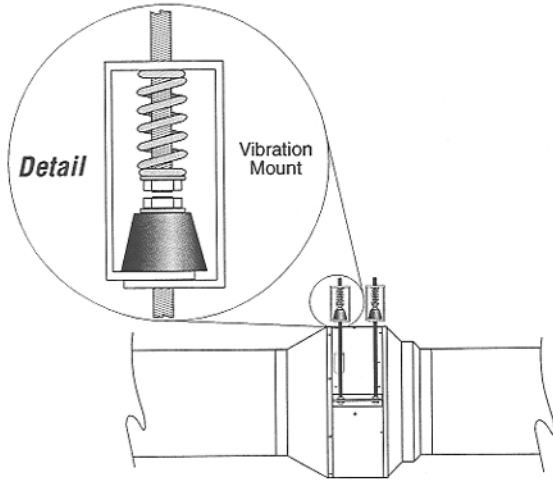
WARNING

DO NOT CONNECT POWER SUPPLY until fan is completely installed. Make sure electrical service to the fan is in the locked 'OFF' position.

TO REDUCE THE RISK OF FIRE, ELECTRIC SHOCK, OR INJURY TO PERSONS – OBSERVE THE FOLLOWING:

- Use this unit in the manner intended by the manufacturer. If you have any questions, contact your manufacturer's representative or contact us directly.
- **CAUTION:** Before installation, servicing or cleaning unit, switch power off at service panel and lock the service disconnection means to prevent power from being switched on accidentally. When the service disconnection means cannot be locked, securely fasten a prominent warning device, such as tag, to the panel.
- Installation work and electrical wiring must be done by qualified person(s) in accordance with all applicable codes and standards, including fire-rated construction.
- Sufficient air is needed for proper combustion and exhausting of gases through the flue (chimney) of fuel burning equipment to prevent back drafting. Follow the heating equipment manufacturer's guideline and safety standards such as those published by the National Fire Association (NFPA), and the American Society for Heating Refrigeration and Air-Conditioning Engineers (ASHRAE), and the local code authorities.
- When cutting or drilling into wall and ceiling, do not damage electrical wiring and other hidden utilities.
- Ducted fans must always be vented to the outdoors.
- **WARNING:** Check voltage at the fan to see if it corresponds to the motor name plate.

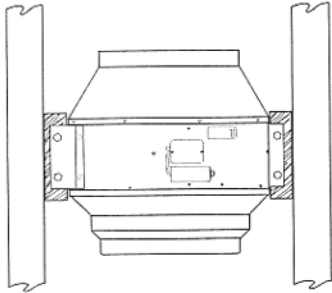
Mounting Illustration 1



Please follow all applicable codes when installing this unit

1. Equipment should be hung at its proper elevation by using temporary fixtures that can be removed after vibration hangers are installed.
2. Hanger may be fastened directly to the structure or somewhere between suspended unit (be sure not to over tighten the neoprene element).
3. Install hangers.
4. Turn nuts on rod assembly clockwise one complete turn on each hanger. Repeat this procedure until temporary hanging fixtures are loose and load of piping or equipment is suspended completely on the vibration hangers.
5. Remove temporary hanger fixtures and level piping or equipment by taking additional turns on the spring/top hanger rod nut – clockwise to raise, counterclockwise to lower as required.
6. If equipping fan with isolators (FC Clamps), they should be attached at this time.
7. See wiring section to complete installation.

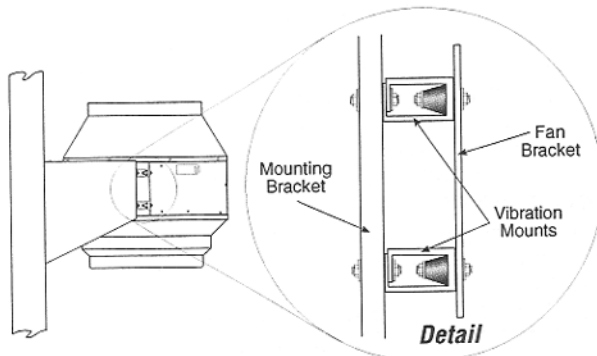
Mounting Illustration 2



Please follow all applicable codes when installing this unit

1. Install wood supports to structure for fan mounting.
2. If equipping with vibration mounts, attach to supports.
3. Attach fan to vibration mounts (be sure not to overtighten the neoprene element).
4. If equipping fan with isolators (FC Clamps), they should be attached at this time.
5. See wiring section to complete installation.

Mounting Illustration 3



Please follow all applicable codes when installing this unit

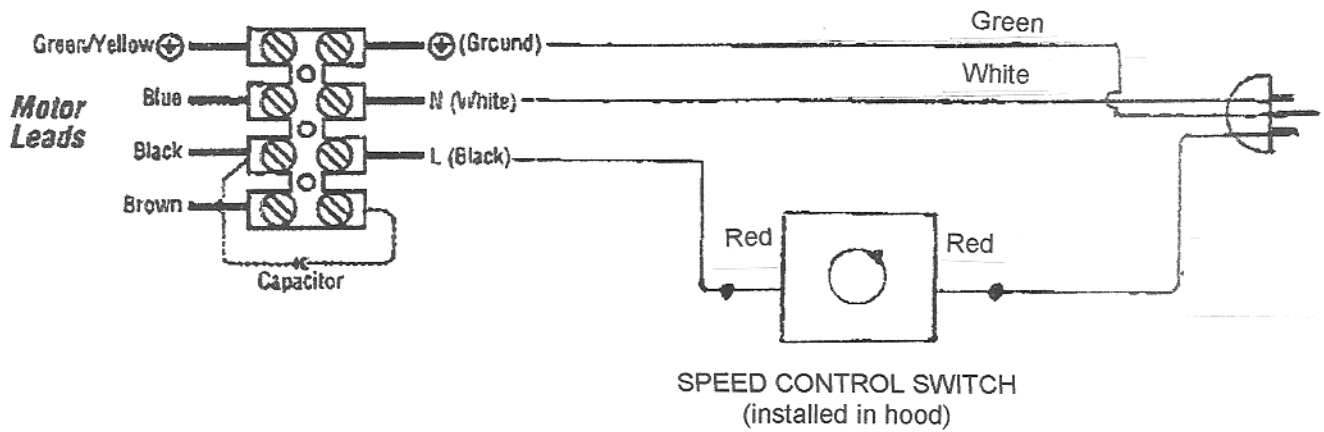
1. Create/Install angle wood supports to structure for fan mounting.
2. If equipping with with vibration mounts, attach to supports.
3. Attach fan to vibration mounts (be sure not to overtighten the neoprene element).
4. If equipping fan with isolators (FC Clamps), they should be attached at this time.
5. See wiring section to complete installation.

ATTIC (in-line) VENTILATOR

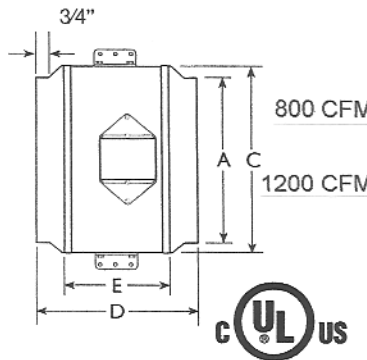
Dimensions & Wiring

115 Volt Single Phase Fans

ATEX-0.8
ATEX-1.2



Dimensions and Wiring



Dimensional Data

Model	A	C	D	E	Weight
800 CFM BL-IK-08799	8	12½	15½	7	19 lbs.
1200 CFM BL-IK-101266	10	14	15	8	15 lbs.

All dimensions in inches.

115 Volt Single Phase Fans

