

VENTILATION ART FOR YOUR KITCHEN



ABBAKA 

ABBAKA, The Choice of Top Professionals And Real People

"... we love our hoods - they are the highlight of our kitchen and everyone comments on them."
- **Barbara Bissell, Maryland**

"We are thrilled that we took the time to get a work of art instead of one of the industrial looking alternatives."
- **Gretchen Larsen, Pennsylvania**

"I would specify Abbaka anytime - service and delivery were superb and the quality of the piece is unique."
- **Agnes Bourne, Agnes Bourne Studio**

"Nothing completes my kitchen design like an Abbaka hood. . . .they make me look very, very good."
- **Ken Burghardt, Residential Renovations**

"Sleek in proportion, subtle in style, . . . my first choice is always Abbaka."
- **Ann E. Grasso, AE Grasso Spatial Design Consultants**

"When we think of Abbaka - we get what we want, not just what's available."
- **Marilyn Sulek, Marvin Herman Associates**



Custom Designs

20% of our production consists of one-of-a-kind, original designs. This perfectly conical hood is one such example. If you can imagine it, we can build it.

Concept: Troy Adams



Hand-built

The very few have the skill required to perform a fusion weld. Indeed the reason why other manufacturers will laminate materials or bolt separate hood body to stack.



Hood Liner

Interior Vent

Filterless exhausters re-condense vaporized cooking grease in the dishwasher-safe collector. The Heat Sensor allows low-noise motor control, automatically going to full speed at threshold temperature.



Hood Liner

Exterior or Attic Vent

Commercial baffle filter system and brawny roof mount or attic exhaust motor can handle the heartiest professional range and look good doing it. Plus, the stainless liner provides the ultimate in easy care.



The Finest Metals

Either pure copper, high-grade brass or type 304, 18/10 stainless is seamlessly joined, then mirror polished or meticulously brushed to a European long grain finish.

abbaka.com
800-548-3932

Visit Us

When you get to the home page, click on the red covered photo album for the latest designs.

Call Us

Consult with a specialist. Tell us about your kitchen, and we'll design the perfect system together

Abbaka Original™

The first, and still the only completely seamless hood. The lower canopy and exhaust stack are joined without a trace, free of the joints, screwed connections, break lines or rivets found in hoods of lesser quality. This high style ventilation hood is a modern adaptation of a classic blacksmith's hood. But its sleek, low profile design transforms the functionality of our high-efficiency ventilation mechanism into an art form. While also serving to minimize the space it fills.



Abbaka Original Island Polished Stainless Steel

Standard sized hoods are designed for installation in ceilings up to nine feet without add-on extensions. For vaulted ceilings, ABBAKA will custom build your hood with a longer stack. In a single, unbroken piece up to 13 feet or with neatly joined extensions for ceilings higher yet. The mirror polished stainless steel hood shown here is accented with utensil rail of polished brass. Rails are also offered in polished stainless and copper, or brushed finish if preferred.



Abbaka Original Wall Mount Polished Copper

Solid copper, not a laminated or riveted sheet over steel, is hand-welded to form this one piece hood. As all our designs, hoods are also offered in brass, stainless and copper, polished or brushed, custom colors and antique finish.



Abbaka Original Island Polished Copper

The cooking island and cathedral ceiling present design challenge enough. Let ABBAKA's experience deal with the technical. We build hoods for tall ceilings routinely — 26 feet is the current record.

Arc Form™



Arc Form Island Satin Stainless Steel

Hood canopy and stack are formed in a continuous curve from a single metal sheet. The limit of the foundry's sheet size may cause a joining seam in the stack. If so, the "welding scar" is blended clearly by a band.



Arc Form Island Polished Copper

Only the sure hand of our skilled craftsmen can perform the seamless weld joining the hood's sides as they are tensioned in a bow. Offered in island model as shown, Arc Form is also available in wall models from 36" to 66" wide.

Barrel Form™



Barrel Form Wall Mount Polished Brass

Curved flue and rounded canopy joined as one. To avoid notching the crown molding, the hood was rear-vented and a custom cap was added to the flue top.



Barrel Form Island Satin Stainless Steel

Recessed end shelves provide convenient storage space for oils and spices (shelves optional on wall mount models).

Cylindra™



Cylindra Wall Mount Satin Stainless Steel

Cylindra's fully lined interior, standard in all designs, eliminates any grease-collecting hems or ledges, while concealing wall attachment hardware. For an integrated look, add a matching backsplash panel.

Luna™



Luna Island Satin & Polished Stainless

Move the motor from inside the hood to outside the home and avoid the boxy look of the "professional" hood. Luna's commercial baffle filters and brawny roof mount ventilator can handle the output of the heartiest restaurant-style range.

Facets™



Facets Wall Mount Polished Brass

As if struck by the unwavering hand of the venerated diamond cutter, 5 separate facets (8 on and island model) are fused to create a masterwork.



Facets Wall Mount Satin Stainless Steel

Facets is offered in island or wall design. The hood's stack size is varied, for purposes of aesthetics and function. For extra convenience, add a utensil rail of brass, stainless or copper.

Quantum™



Quantum Wall Mount Satin Stainless Steel

As in the island design, the wall mount hood's stack floats on center. A tempered glass ring crowns the sleek canopy. Attic or roof mount exhaust motors pack up to 1400 CFM of ventilation power.

Craftwork™



Craftwork Wall Mount Satin & Polished Stainless

An alternate to the plaster, mantelpiece or wood hood. Scalloped center plate, apron and top band of polished stainless accent the brushed stainless body. Decorative rivets enhance the feel of old world craftsmanship.

Belle-Aire™



Belle-Aire Island Polished Copper

Belle-Aire takes its inspiration from the black metal hood used with the wood burning stoves of the 1900's. Optional bands in polished brass accent the shape.

Gemstone™



Gemstone Island Satin Stainless Steel

8 precision-cut plates are fusion welded and hand-grained. Gemstone is another of the renowned 1-piece seamless hoods only from ABBAKA.

Empire™



Empire Wall Mount Satin Stainless Steel

Ultra low-profile, Empire's canopy is just 9" tall. Yet commercial grease filters and over-sized plenum harnessed with an attic or roof mount ventilator to 1400 CFM, deliver the power needed for the largest pro-style range.

Classic™



Classic Wall Mount Antique Bronze

At home in a San Francisco Victorian or a Tuscan villa, Classic is shown in our custom Antique Bronze finish. Brass is chemically aged for an "oil rubbed bronze" look and sealed with a protective top coat for easy care.

Antique Copper



Arc Form Island Antique Copper

Pure copper is "chemically aged" then sealed. The process is performed by hand with the resulting variations creating a distinct character for each hood.

Abbaka Original™ Spec



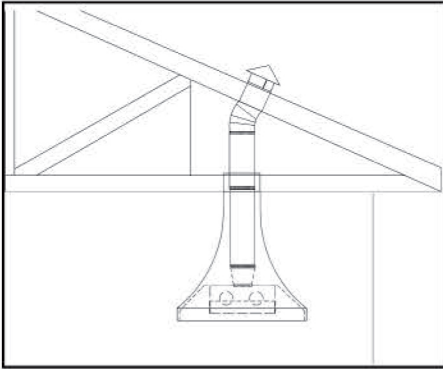
Custom Abbaka Original Wall Mount Satin Stainless Steel

Motors were moved from inside the hood to outside the house, providing necessary holding capacity and allowing custom-specified low hood canopy and narrow stack.

ABBAKA Ventilation Systems

The Ultimate in Individual Customization

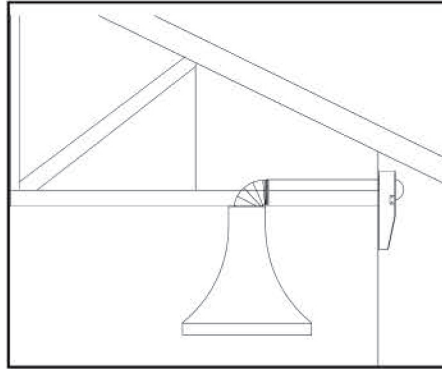
Our entire focus is to create the quietest and most efficient ventilation system for your particular situation. No one system technology can address the idiosyncrasies of every environment. Therefore we offer three different options; each designed to create a unique balance between low-noise operation and ultra high performance. Precision exhaust capacity regulation makes each system eminently suited for the most sophisticated array of professional-style, as well as the finest in standard cooking equipment.



Interior (built in)

Much as a washing machine wrings the water from the clothes in the spin cycle, squirrel cage fans liquefy vaporized grease by centrifugal action. The hood's stainless liner houses exhausters of 600*, 900* or 1200* CFM capacity, halogen lighting and heat sensor with 2-speed motor that allows "simmer level" exhaust.

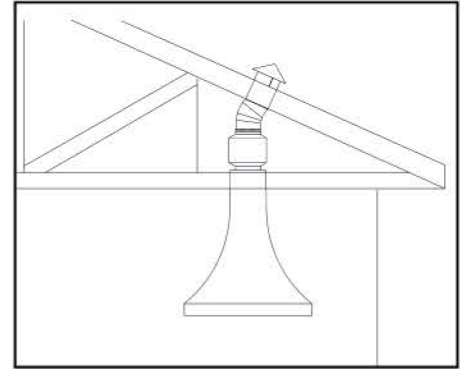
*900-1400 CFM conventional rating - higher capacity offered for +66"W hood size



Exterior Wall/Roof Mount

Move the motor from inside the hood to outside the house. The hood's stainless steel liner is fitted with commercial baffle filters and halogen lighting for clean, crisp illumination. The roof or outside wall-mounted ventilators are offered in 600†, 1000† or 1400† CFM capacities and are regulated by a 4-position speed control switch.

†higher capacity offered for +66"W hood size



Attic (in-line)

If the construction of the home forces placement of the ventilator motor in an aesthetically unpleasing or noise-sensitive location, choose the Attic mount ventilation system. 800† or 1200† CFM motors are regulated by an infinitely variable speed control. A stainless steel liner houses commercial baffle filters and halogen lighting.

†higher capacity offered for +66"W hood size

One Hood at a Time for One Kitchen at a Time

At ABBAKA, the design of your kitchen range hood, begins with a discussion of your cooking style, the range you'll be using, the layout of the kitchen, and the "look" or "feel" you want your hood to have, as part of the overall kitchen design. Next a technical review of installation specific to your home and required ventilation capacity is performed to create the optimum system for your



cooking center. Finally, a detailed formal quotation is made for your hood. Once approved, the factory order is placed, where your hood will be fashioned by the mastercraftsmen of Denmark's most elite custom metal works, putting 84 years of experience and the combined skills of three generations into the creation of your hood.

Authorized Dealer:

ABBAKA

P.O. Box 215, Bodega Bay, CA 94923-0215 USA
Tel. (800) 548-3932 • Fax (800) 548-3930
webmail@abbaka.com • www.abbaka.com