

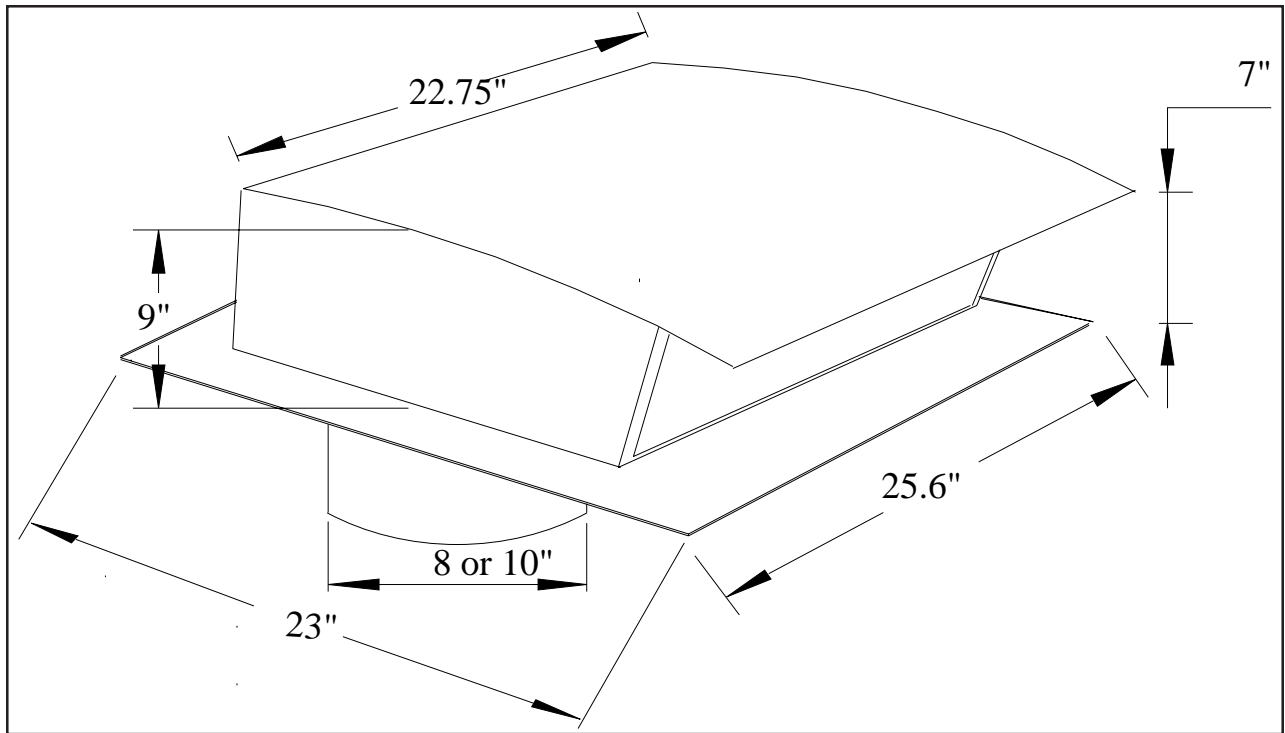
ABBAKA

Hy-Ex™ Professional Exterior Ventilator



- Low Profile
- Ultra-High Performance
- Hyper-Quiet Exhaust

Professional Performance



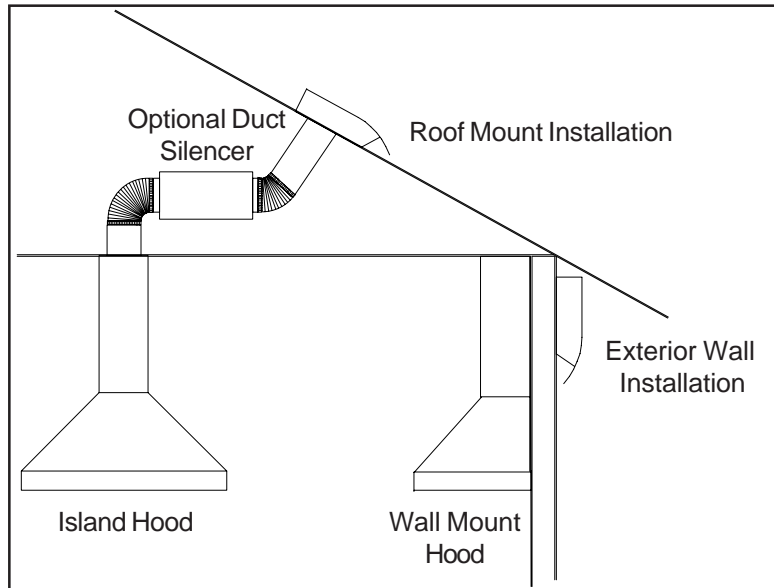
System Features

- Ultra-high Performance** - superior fan blade design provides super-high air movement 125% more efficient than other professional-level remote ventilators. And, our Hy-Ex has power enough for the heartiest 60" Professional range.
- Super Energy Efficient** - high CFM output at 1/3 the power (wattage) of comparable professional-level (1200+ CFM) remote ventilators
- Low Profile** - 9" at the highest point, with 7" radiused profile. Restaurant ventilator power, without the industrial fan look.
- Hyper-quiet** - 70% quieter than conventional remote ventilators; 66 decibels ambient white noise maintains outdoor quiet and solitude, plus eliminates in-hood motor noise.
- Decorative Finishes** - choose metallic copper or matte black finish or any of a complete array of custom colors in rugged powder coated epoxy enamels. Or, opt for our standard, weather-resistant, extra-durable galvalume blower housing that will stand up to the toughest conditions.
- Heavy Duty Backdraft Damper** - spring loaded, positive closure, keeps cold air out in the worst of conditions.
- Variable Motor Speed** - solid state device gives you 100% control to dial in the exact vent power for the current cooking condition.
- Maintenance-free** - permanently lubricated sealed ball bearings require no upkeep. Thermal overload protection with auto reset, guards against system destruction. Plus, external rotor construction places the motor at the center of the permanently attached fan wheel for superior cooling from passing air, assuring long-life and trouble-free performance.
- Ultimate Serviceability** - in the unlikely event that the system should fail, our Uni-Structure motor/impeller/control assembly is replaced as a unit. Removing just 6 screws is all it takes to replace the entire structure as one.
- 7-Year Warranty** - the finest materials and construction allow the industry's best warranty

Hy-Ex Series Performance Data

Model Number	HP	RPM (nom)	Volts	Hz	Max. Watts	Max. Amps	Air Flow (CFM) / Static Pressure (Inches W.G)									
							0"	.1"	.2"	.3"	.4"	.6"	.8"	1.0"	1.2"	1.4"
HYEX-1.4	1/2	1400	115	60	361	3.3	1400	1355	1297	1190	1097	1014	901	751	603	511
HYEX-1.0	1/3	1000	115	60	317	2.9	1000	968	926	850	783	724	645	536	431	365

Hy-Ex™ Professional Exterior Ventilator



ABBAKA Hy-Ex Remote Ventilator System Advantages

- ◆ Hood shape not forced by motor size
- ◆ Increased size/power ratio moves air through longer duct runs, more turns & restrictions
- ◆ Moves the motor noise from inside the hood to outside the kitchen
- ◆ Aesthetics - If the ventilator must be mounted in an area visible from a deck or outdoor entertainment area or noise sensitive area such as an outside wall near the property line, Hy-Ex affords the quietly beautiful option.

XL Professional Hood Liner & Hy-Ex Ventilator System

(detailed brochure available)

ABBAKA offers a complete ventilation system for custom wood hoods, mantles, arches, alcoves and stucco formed hoods, by coupling the Hy-Ex Remote Ventilator with our XL Professional Hood Liners.

Professional Stainless Steel Hood Liner Program - Brushed stainless, robust 16 gauge, Type 304, non-magnetic, 18/8 chromium nickel steel means no rust. Each completely finished liner houses commercial baffle filters, halogen lights, light control and infinitely variable motor speed control switch.

Options & Accessories

- Decorative Finishes - metallic copper or matte black in rugged powder coat epoxy enamel
- Custom Colors - in addition to standard paint-ready galvalume, custom colors are offered
- Duct Silencers - galvanized steel silencers installed in the duct run can reduce perceived sound by more than 50%.
- Custom Bottom Flashing - built to dimensions as required by local code

ABBAKA

1500-A Burke Avenue, San Francisco, CA 94124 USA
800-548-3932 • 415-648-7210 (outside USA)
Fax: 800-548-3930 • 415-648-6557 (outside USA)
e-mail: webmail@abbaka.com <http://www.abbaka.com>